

# BENECOR



## BENECOR DEF CENTRIFUGAL PUMP

Benecor's Centrifugal Pumps are specifically designed and engineered for pumping DEF. Strong delivery pressure makes it ideal for use in supplying DEF from storage tanks. This self-priming pump also has excellent suction capacity even when there are air bubbles in the liquid.

### Features:

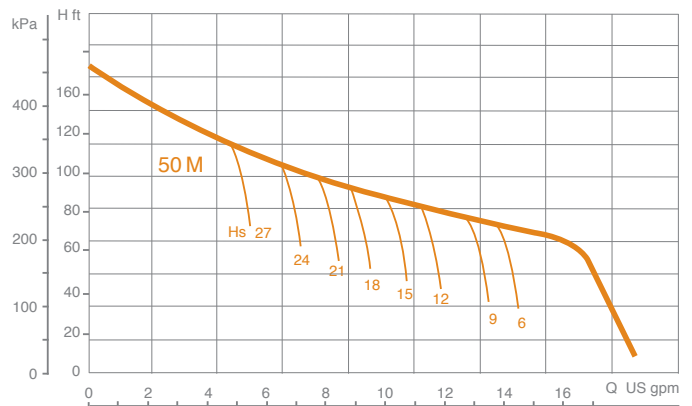
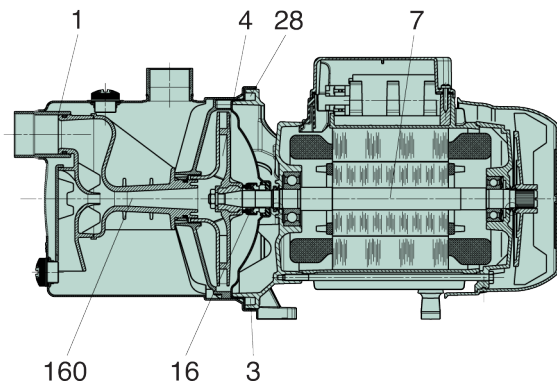
- Self-Priming
- Excellent suction capacity
- Stainless Steel
- Built-in thermal and current overload protection

### Technical Specifications:

- Dual Voltage 115v/230v 60Hz
- Liquid quality requirements: clean, free from solid or abrasive substances
- Liquid temperature range: from +32° F to +113° F
- Maximum ambient temperature: +104° F
- Maximum operating pressure: 8 bar (116 PSI)
- Installation: fixed in a horizontal position
- Motor protection level: NEMA 4 (IP44)
- Terminal box protection: NEMA 4X (IP55)

N.	DESCRIPTIONS*	MATERIALS
1	PUMP BODY	STAINLESS STEEL AISI 304 X5 CrNi 1810 UNI 6900/71
4	IMPELLER	TECHNOPOLYMER A
7	SHAFT WITH ROTOR	STAINLESS STEEL AISI 303 X10 CrNiS 1809 UNI 6900/71
16	MECHANICAL SEAL	CARBON/CERAMIC
28	OR GASKET	VITON
36	SEAL COVER	STAINLESS STEEL AISI 304 X5 CrNi 1810 UNI 6900/71
160	NOZZLE-VENTURI-DIFFUSER ASSEMBLY	TECHNOPOLYMER A

\* In contact with the liquid



Contact Benecor Customer Service  
For Product & Pricing Information At:  
**248.437.4437**



# BENECOR

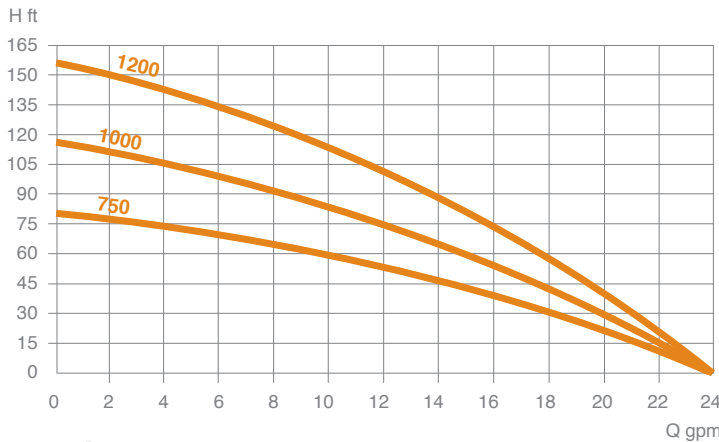


## BENECOR DEF SUBMERSIBLE PUMP

Benecor's powerful multi-stage submersible pump is available with 2, 3, or 4 impellers and is ideal for use in supplying DEF from storage tanks.

	P1 W-SP	H ft	Q GPM	A in	Impellers	Max. Pst
750	750-1/2	79	25	1"	2	35
1000	900-3/4	118	25	1"	3	52
1200	1100-1	157	25	1"	4	64

	inch	lb	inch
750	5.9x5.9x13.8	16 16.5	40
1000	5.9x5.9x14.8	18.7 19.1	40
1200	5.9x5.9x15.7	19.4 19.8	40



### Features:

- Overload protections: built-in thermal and current overload protection
- Liquid quality requirements: clean, free from solid or abrasive substances

### Technical Specifications:

- Liquid temperature range: from +32° F to +113° F
- Maximum ambient temperature: +104° F
- Maximum operating pressure: 4.6 bar (64 PSI)
- Installation: fixed in a horizontal or vertical position



**l x d x h**

Contact Benecor Customer Service  
For Product & Pricing Information At:  
**248.437.4437**



# BENECOR



## BENECOR DEF 12 VOLT PUMP

Only Benecor offers a 12 Volt Pump delivering the ultimate in quality, flexibility and powerful flow rates. Ideal for agricultural, construction and in-field transfer applications. Choose the mounting design that best meets your needs: front mounting design to fit directly onto a tote, wall mounting or barrel top mounting. Every component of Benecor's 12 Volt Pump Package is inspected, stamped and shipped from our own factory ensuring the highest-quality and exclusive technologies for your DEF dispensing needs.

### Features:

- Stainless Steel Pump & Nozzle Mount
- Benecor 12 VDC Positive Displacement Pump
- 12' Power Cord with In-line Fuse and Battery Clips
- Automatic Stainless Steely Nozzle with Swivel
- Delivery Hose - Benecor DEF 10 ft, Optional lengths available
- Suction Hose - 4 ft
- All Necessary Hose Hardware
- Benecor Flow Meter Optional

### Technical Specifications:

- 12 VDC PUmp with Integral Thermal Breaker
- Self Priming
- Viton Seals
- Flow Rate 6.5-7.5 GPM

Contact Benecor Customer Service  
For Product & Pricing Information At:  
**248.437.4437**

# BENECOR



## BENECOR DEF DOUBLE DIAPHRAGM AIR PUMP PACKAGE

Benecor's Double Diaphragm Air Pump Tote and Barrel Pump Packages deliver the ultimate in flexibility for those who prefer air pumps versus electric. An original Benecor design, these pump packages allow you to choose between mounting directly onto a tote with the front mounting design, wall mounting or barrel top mounting. Paired with the durable, high-quality products you've come to expect from Benecor, these pump packages are a smart solution built to suit your DEF dispensing needs.

### Features:

- Stainless Steel Pump & Nozzle Mount
- Benecor 3/4" Double Diaphragm Pump
- Automatic Stainless Steel Nozzle with Swivel
- Delivery Hose – Benecor DEF 10 ft.; Optional lengths available
- Suction Hose – 4 ft.
- All Necessary Hose Hardware
- Benecor Flow Meter Optional

### Technical Specifications:

- 3/4" NPT Internal Threads
- No-Lube, No Stall Design
- Santoprene Diaphragms, Check Balls
- Polypro Seats
- Flow Rate 6.5-7.5 GPM

Contact Benecor Customer Service  
For Product & Pricing Information At:  
**248.437.4437**

# BENECOR

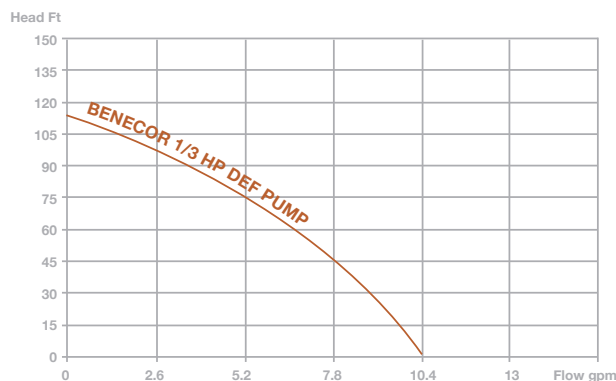


## BENECOR DEF 1/3 HP PUMP

As with every Benecor product, our DEF 1/3 hp Pump is designed and built to deliver on both durability and superiority. Our DEF Self-Priming Centrifugal Pump provides excellent suction capacity even when there are air bubbles in the liquid. Paired with the durable, high-quality products you've come to expect from Benecor, this pump is a smart solution built to suit your DEF dispensing needs.

### Features:

- Pump: Jet R 90 GAS Viton 115v/60Hz
- Pump Body: PPO – Polypropylene
- Pump Seal: Viton Pump body O-Ring and Mechanical Seal
- Ports: 1" Male GAS suction and discharge
- Motor/Fan Cover: Black in Color (Shroud)
- Wiring: 115/60Hz w. Nema 5-15 Plug ( 6 foot )
- Switch: Standard On/Off



### Technical Specifications:

- 1" GAS connections
- Liquid quality requirements: clean, free from solid or abrasive substances.
- Liquid temperature range: from +32° F to +113° F
- Maximum ambient temperature: +104° F
- Maximum operating pressure: 8 bar (116 PSI)
- Installation: fixed in a horizontal position.
- Motor protection level: IP44
- Terminal box protection: IP55
- Overload protections: built-in thermal and current overload protection.

Contact Benecor Customer Service  
For Product & Pricing Information At:  
**248.437.4437**